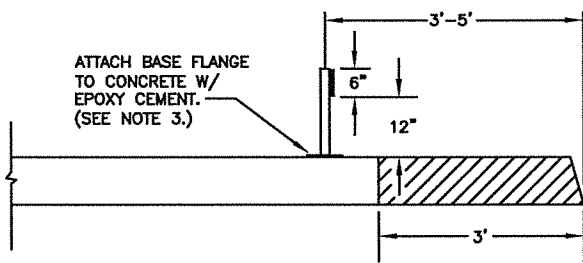
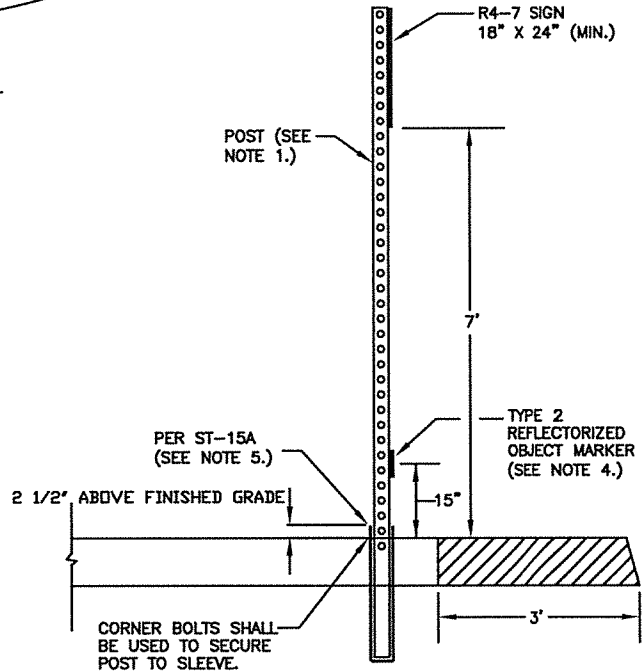


PLAN VIEW
NTS



PROFILE VIEW
NTS



COMBINED SIGN
AND MARKER POST

NOTES:

1. POSTS FOR COMBINED STREET SIGN AND OBJECT MARKER SHALL BE 12 GAUGE 2" X 2" SQUARE, GALVANIZED AND PERFORATED.
2. FOR POSTS TO BE USED IN COMBINATION WITH PEDESTRIAN PUSH BUTTON POLES, REFER TO TRAFFIC SIGNAL STD. DRAWINGS NO. TS-7 & TS-7A.
3. POST AND FLANGE FOR TYPE 2 (OM2-1H) OBJECT MARKER SHALL BE SCHED. 80 PVC, 2-1/4" O.D. MIN.
4. OBJECT MARKER SHALL BE TYPE 2, REFLECTORIZED (YELLOW REFLECTORS) CONFORMING TO CAL MUTCD OM2-1H.
5. ANCHOR SHALL BE 30" "ANCHOR-MATE W/ 12" SLEEVE", ULTIMATE HIGHWAY PRODUCTS, INC. OR APPROVED EQUAL. SEE STD. DRAWING NO. ST-15A. ANCHOR TO BE INSTALLED NO MORE THAN 2 1/2" ABOVE GRADE.
6. INSTALL 3" THICK CLASS 3 CONCRETE CAP MINIMUM 6' FROM NOSE. CERTAIN LOCATIONS MAY REQUIRE STAMPED CONCRETE.



CITY OF CLOVIS

DWG NO.

ST-15

MEDIAN ISLAND NOSE MARKER & SIGN

REF.:
STD. SPECIFICATIONS

APPROVED BY:	NO.	REVISED	BY	APPROVALS	SCALE: NTS
CITY ENGINEER <i>M. Khan</i>		01-14-11	BGJ	CM	DRAWN BY: JA
		05-29-12	PAA	DRU	
		09-28-12	PAA	PUD	
		03-20-19	CGV		
DATE: 6/6/19					SHEET 1 OF 1