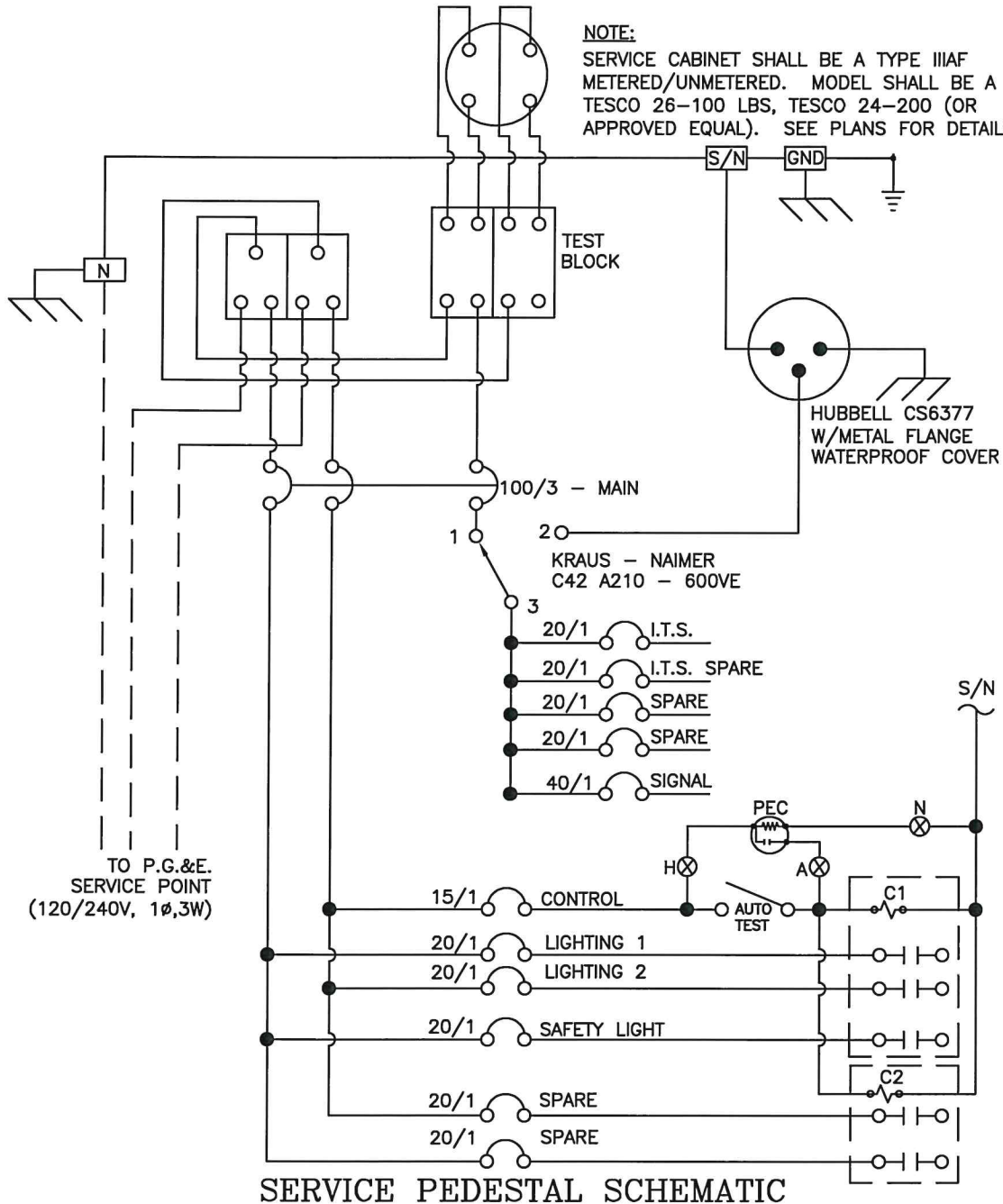


NOTE:
 SERVICE CABINET SHALL BE A TYPE IIIAF
 METERED/UNMETERED. MODEL SHALL BE A
 TESCO 26-100 LBS, TESCO 24-200 (OR
 APPROVED EQUAL). SEE PLANS FOR DETAILS.



SERVICE PEDESTAL SCHEMATIC

20A SPARE	20A SPARE	20A I.T.S. SPARE	20A I.T.S.	15A CONTROL	20A LIGHTING 1	20A LIGHTING 2	20A SPARE	20A SPARE	20A SAFETY LIGHT	40A SIGNAL	100A MAIN
-------------------	-------------------	-----------------------------	--------------------	---------------------	------------------------	------------------------	-------------------	-------------------	-----------------------------	--------------------	-------------------

SWITCH LOCATION



CITY OF CLOVIS

DWG NO.
TS-5A

SERVICE PEDESTAL SCHEMATIC

REF.:
STANDARD SPEC.
SECTION 86

APPROVED BY:
[Signature]
CITY ENGINEER
DATE: *5/19/2020*

NO.	REVISED	BY	APPROVALS
			CM <i>[Signature]</i> DRU <i>[Signature]</i> PUD <i>[Signature]</i>

SCALE: NTS
DRAWN BY: CGV
SHEET 1 OF 1