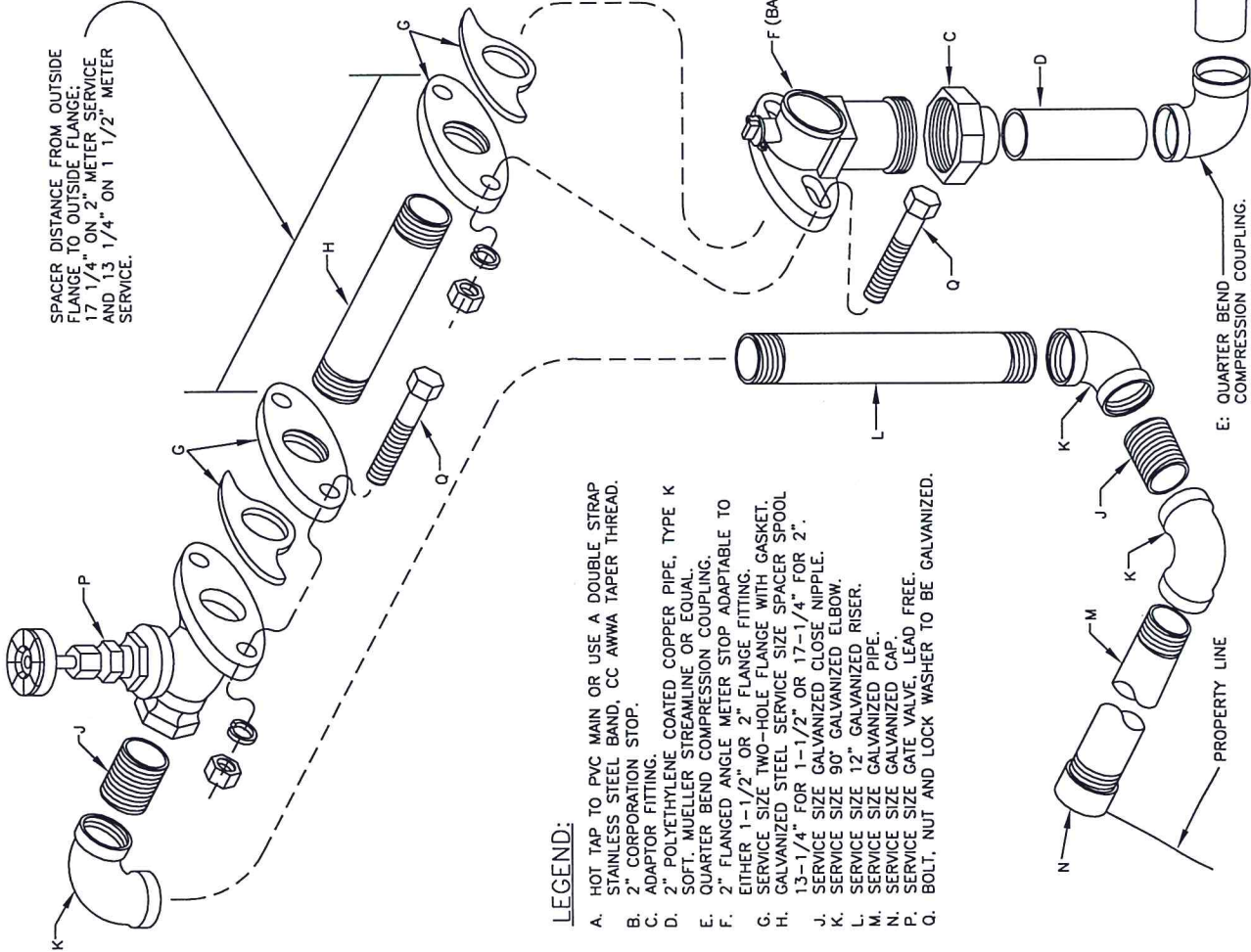


NOTES:

1. CONTRACTOR SHALL FURNISH AND INSTALL ALL ITEMS LISTED IN LEGEND.
2. WATER METER TO BE FURNISHED AND INSTALLED BY CITY.
3. WATER SERVICE AND METER BOX INSTALLATION SHALL BE INSPECTED AND APPROVED BY CITY PRIOR TO SIDEWALK INSTALLATION.
4. NO WATER SERVICE IN DRIVEWAY APPROACH OR WING WILL BE ACCEPTED.
5. ALL MATERIALS FURNISHED SHALL BE AS NOTED, OR CITY APPROVED EQUAL.
6. WHERE LEGEND SPECIFIES A SIZE OF 1-1/2" OR 2", INSTALL SIZE TO MATCH DESIGNATED SERVICE SIZE, I.E., 1-1/2" OR 2" WATER SERVICE.
7. SEE STANDARD W-6 FOR SPECIFICATIONS.
8. ALL GALVANIZED PIPE AND FITTINGS SHALL BE DOUBLE WRAPPED WITH 10 MIL TAPE.

SPACER DISTANCE FROM OUTSIDE FLANGE TO OUTSIDE FLANGE: 17 1/4" ON 2" METER SERVICE AND 13 1/4" ON 1 1/2" METER SERVICE.



LEGEND:

- A. HOT TAP TO PVC MAIN OR USE A DOUBLE STRAP STAINLESS STEEL BAND, CC AWWA TAPER THREAD.
- B. 2" CORPORATION STOP.
- C. ADAPTOR FITTING.
- D. 2" POLYETHYLENE COATED COPPER PIPE, TYPE K SOFT. MUELLER STREAMLINE OR EQUAL.
- E. QUARTER BEND COMPRESSION COUPLING.
- F. 2" FLANGED ANGLE METER STOP ADAPTABLE TO EITHER 1-1/2" OR 2" FLANGE FITTING.
- G. SERVICE SIZE TWO-HOLE FLANGE WITH GASKET.
- H. GALVANIZED STEEL SERVICE SIZE SPACER SPOOL 13-1/4" FOR 1-1/2" OR 17-1/4" FOR 2".
- I. SERVICE SIZE GALVANIZED CLOSE NIPPLE.
- J. SERVICE SIZE 90° GALVANIZED ELBOW.
- K. SERVICE SIZE 12" GALVANIZED RISER.
- L. SERVICE SIZE GALVANIZED PIPE.
- M. SERVICE SIZE GALVANIZED CAP.
- N. SERVICE SIZE GATE VALVE, LEAD FREE.
- O. BOLT, NUT AND LOCK WASHER TO BE GALVANIZED.

E: QUARTER BEND COMPRESSION COUPLING. (NOT REQUIRED ON ROLL TYPE COPPER AND POLY TUBING). AY McDONALD 747610, FORD NL44-660, NL44-770, MUELLER H-15526N.



CITY OF CLOVIS

BLOWN-UP VIEW 1 1/2" or 2" WATER SERVICE

DWG NO. **W-6A**

REF. STD. SPECIFICATIONS SECTION 66

APPROVED BY:	NO.	REVISED	BY	APPROVALS	SCALE: NTS
CITY ENGINEER <i>[Signature]</i>		6-2-17	BGJ	CM <i>[Signature]</i>	DRAWN BY: JA
		11-10-09	BGJ	DRU <i>[Signature]</i>	
		5-11-12	BGJ	PUD <i>[Signature]</i>	
DATE: 6/2/17					SHEET 1 OF 1