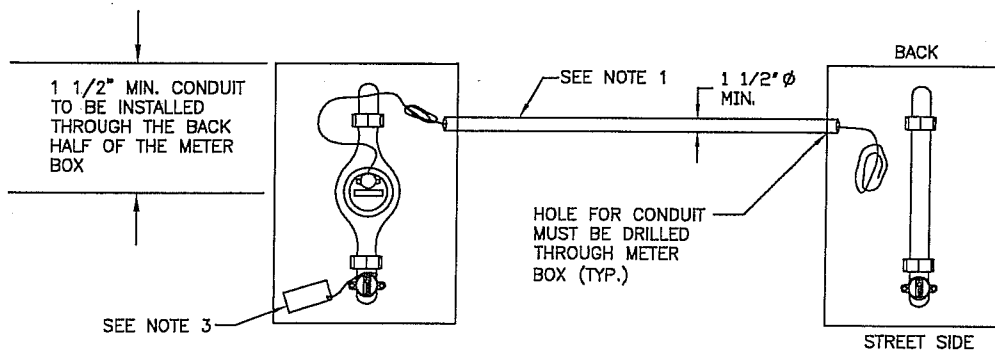


FRONT VIEW



PLAN VIEW

**NOTES:**

1. INSTALL 1 1/2" MIN. SCH. 40 PVC CONDUIT BETWEEN ALL ADJACENT WATER SERVICE BOXES WHICH ARE 12' OR LESS APART.
2. OPTIONAL INSTALLATION TO ACCOMMODATE OTHER UTILITIES EXISTING BETWEEN BOXES.
3. ON COMMERCIAL METERS WIRE TIE BRASS TAG TO ANGLE STOP INDICATING ADDRESS NUMBER INCLUDING SUITE NUMBER.



# CITY OF CLOVIS

DWG NO.

**W-5A**

## ADJACENT METER BOX PLACEMENT

REF. STD. SPECIFICATIONS SECTION 66

APPROVED BY:	NO.	REVISED	BY	APPROVALS	SCALE: NTS
CITY ENGINEER		02-25-09	BGJ	CM <i>JRL</i>	DRAWN BY: JA
		09-16-09	BGJ	DRU <i>AK</i> PUD <i>AK</i>	
DATE: <i>9/2/09</i>					SHEET 1 OF 1