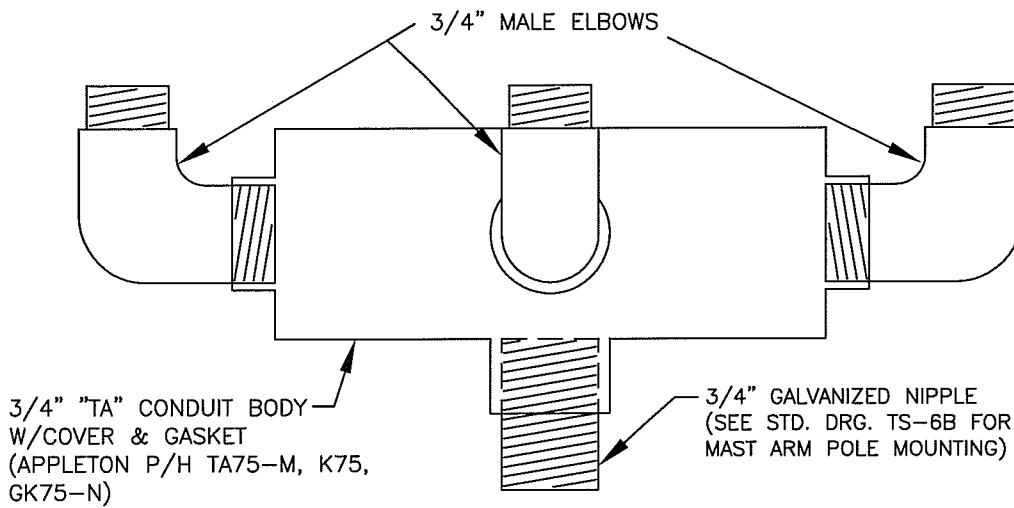


DUAL MOUNT



TRIPLE MOUNT



CITY OF CLOVIS

DWG NO.
TS-6A

OPTICOMTM DUAL & TRIPLE MOUNTING FIXTURES

REF.:
STANDARD SPEC.
SECTION 86

APPROVED BY:	NO.	REVISED	BY	APPROVALS	SCALE: NTS
CITY ENGINEER DATE: 1/29/11		04-15-09	BGJ	CM DRU PUD	DRAWN BY: JA
		01-18-11	BGJ		SHEET 1 OF 1
		02-16-11	BGJ		