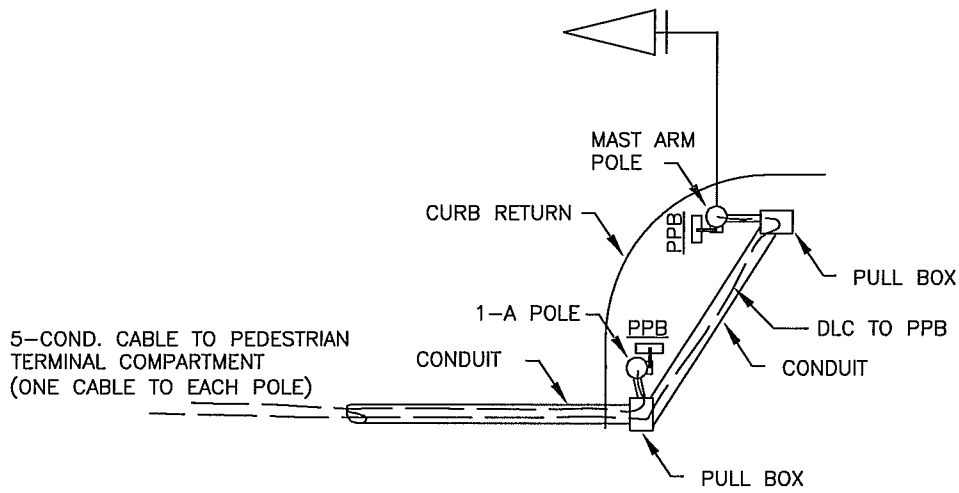


TERMINAL STRIP



TYPICAL CORNER CONNECTIONS

NOTES:

1. INSTALL SINGLE CONDUCTOR COLOR CODED #14 THWN COPPER WIRE BETWEEN TERMINAL STRIP AND EACH SIGNAL ASSEMBLY AND CONNECT.
2. THE CABLES THAT COMPRISE A SIGNAL PHASE SHALL HAVE AN IDENTIFICATION BAND PLACED NEAR THE END OF TERMINATION POINTS AND IN EVERY PULL BOX. THE IDENTIFICATION BAND SHALL BE A 3/8" PLASTIC STRIP AND INSTALLED WITH NON-FERROUS PERMANENT FASTENER. ALL CABLES SHALL BE LABELED PER PHASING SHOWN ON PLANS.



CITY OF CLOVIS

DWG NO. TS-4A

PEDESTRIAN SIGNAL TERMINAL LOCATIONS

REF.: STANDARD SPEC. SECTION 86

APPROVED BY:	NO.	REVISED	BY	APPROVALS	SCALE: NTS
CITY ENGINEER		04-15-09	BGJ	CM	DRAWN BY: JA
		01-18-11	BGJ	DRU PUD	
DATE: 7/11/11					SHEET 1 OF 1