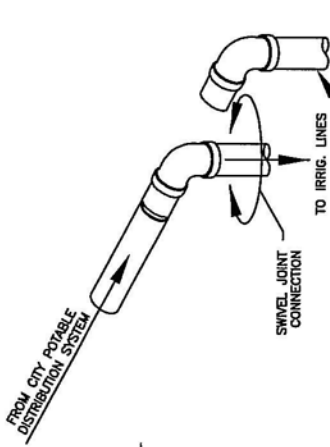
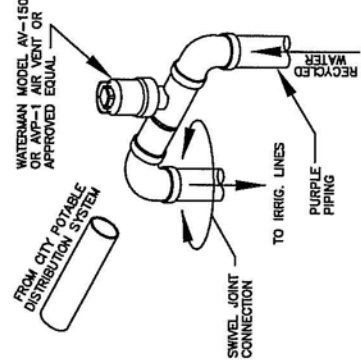


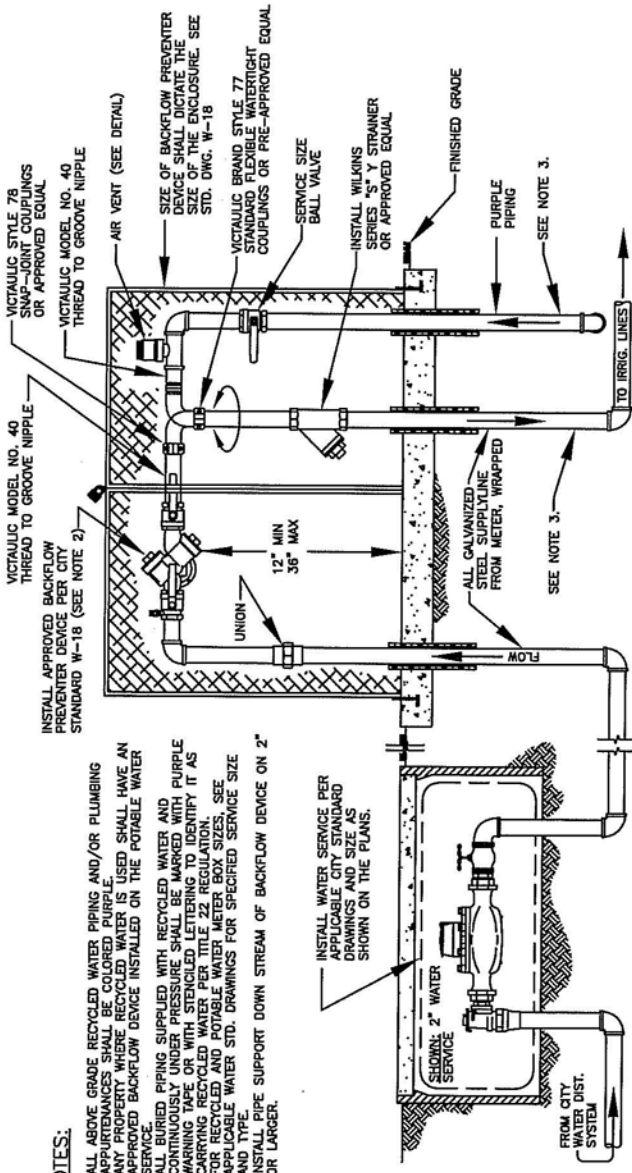
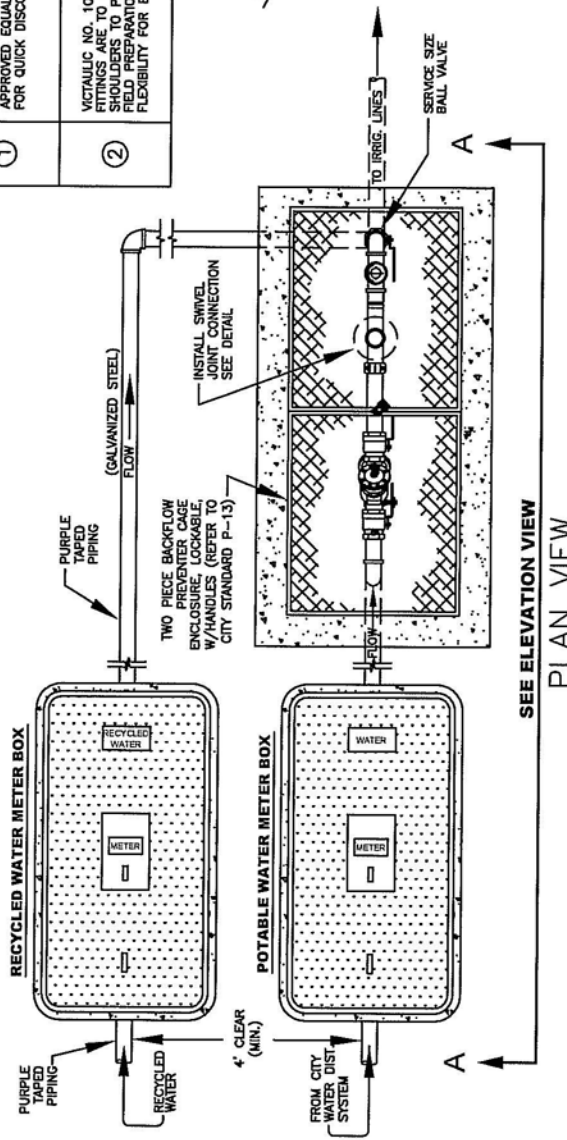
|   |  |
|---|--|
| ① | VICTAULIC STYLE 78 SNAP-JOINT COUPLINGS OR APPROVED EQUAL COUPLINGS ARE TO BE DESIGNED FOR QUICK DISCONNECT SERVICE.   |
| ② | VICTAULIC NO. 10, 90° ELBOWS OR APPROVED EQUAL FITTINGS ARE TO BE SUPPLIED WITH GROOVES OR SHOULDERS TO PERMIT FAST INSTALLATION WITHOUT FIELD PREPARATION. THE GROOVED DESIGN PERMITS FLEXIBILITY FOR EASY ALIGNMENT. |



CITY WATER PIPING TO IRRIG. PIPING DETAIL



RECYCLED WATER PIPING TO IRRIG. PIPING DETAIL



ELEVATION VIEW A - A

- NOTES:
1. ALL ABOVE GRADE RECYCLED WATER PIPING AND/OR PLUMBING SHALL BE INSTALLED IN A CONCEALED MANNER. ALL RECYCLED WATER SHALL HAVE AN APPROVED BACKFLOW PREVENTER INSTALLED ON THE POTABLE WATER SERVICE.
  2. ANY PROPERTY WHERE RECYCLED WATER IS USED SHALL HAVE AN APPROVED BACKFLOW DEVICE INSTALLED ON THE POTABLE WATER SERVICE.
  3. ALL BURIED PIPING SUPPLIED WITH RECYCLED WATER AND CONTINUOUSLY UNDER PRESSURE SHALL BE MARKED WITH PURPLE WARNING TAPE OR WITH STENCILED LETTERING TO IDENTIFY IT AS RECYCLED WATER PER TITLE 22 REGULATION.
  4. FOR RECYCLED WATER PER TITLE 22 REGULATION, SEE APPLICABLE WATER STD. DRAWINGS FOR SPECIFIED SERVICE SIZE AND TYPE.
  5. INSTALL PIPE SUPPORT DOWN STREAM OF BACKFLOW DEVICE ON 2' OR LARGER.

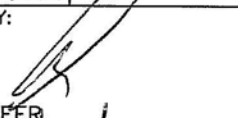


# CITY OF CLOVIS

DWG NO. **RW-1**

## RECYCLED WATER PIPING WITH SWIVEL JOINT CONNECTION

REF: STD. SPECIFICATIONS

APPROVED BY: 

CITY ENGINEER

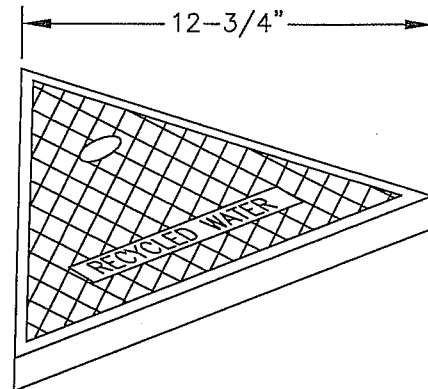
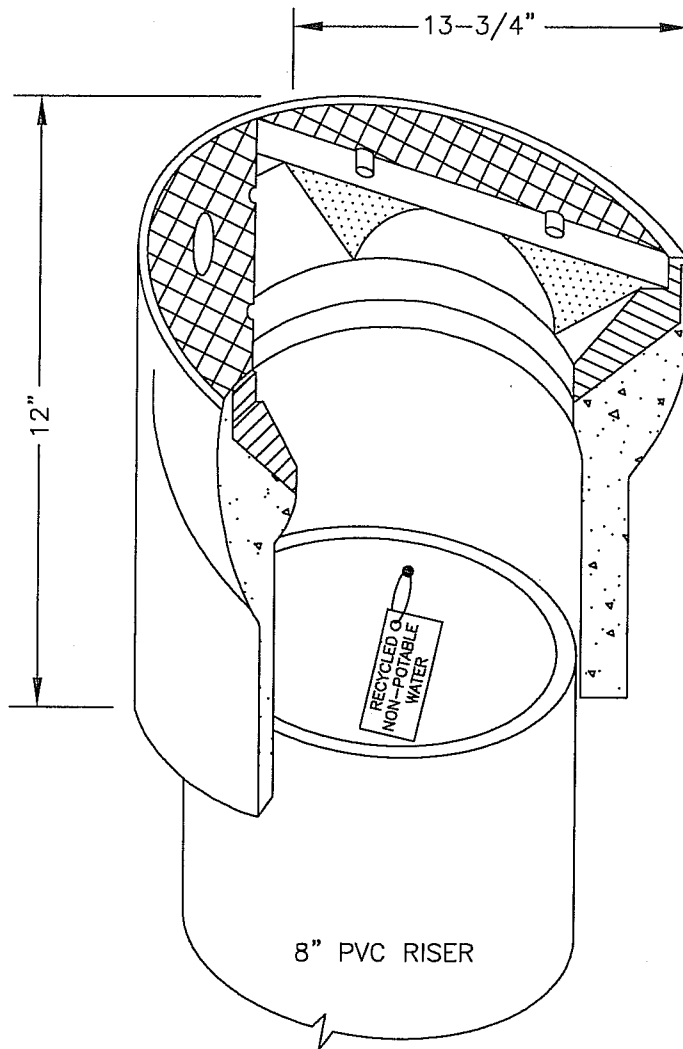
DATE: 5/13/12

| NO. | REVISED  | BY  | APPROVALS  |
|-----|----------|-----|------------|
|     | 03-13-09 | BGJ | CM         |
|     | 05-16-12 | BGJ | DRU<br>PUD |

SCALE: NTS

DRAWN BY: BGJ

SHEET 1 OF 1



**NOTES:**

1. VALVE BOX SHALL BE CHRISTY MODEL G4BOX TRAFFIC VALVE BOX (10" I.D. X 12" HIGH) OR APPROVED EQUAL.
2. VALVE BOX LID SHALL BE CHRISTY MODEL G4C, CAST IRON, OR APPROVED EQUAL. THE WORDS "RECYCLED WATER" SHALL BE STAMPED OR CAST, OR HARDFACE WELDED ONTO LID.
3. ALL OTHER ASPECTS OF THE BOX, INCLUDING CONCRETE COLLAR, RISER, AND TRACER WIRE SHALL CONFORM TO STANDARD DRAWING W-1, "WATER VALVE & WELL".
4. HANG 2"x4" METAL TAG LABELED "RECYCLED, NON-POTABLE WATER" NEAR THE TOP OF THE PVC RISER.



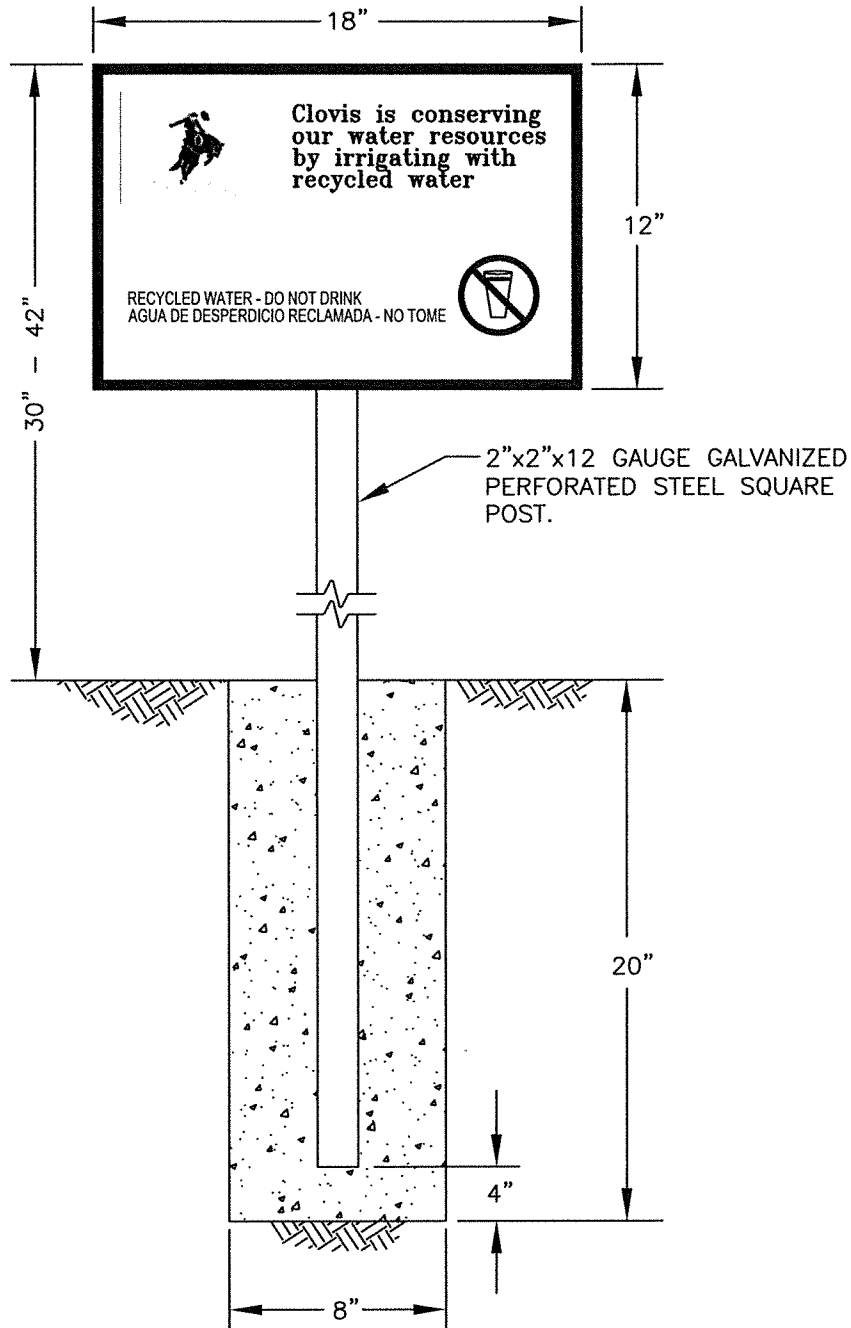
# CITY OF CLOVIS

## RECYCLED WATER VALVE BOX

DWG NO.  
**RW-2**

REF: STD. SPECIFICATIONS  
SECTION 67

|   |     |          |     |  |   |
|---|-----|----------|-----|--|---|
| APPROVED BY:<br><br>CITY ENGINEER <i>[Signature]</i><br>DATE: 1/20/10 | NO. | REVISED  | BY  | APPROVALS  | SCALE: NTS<br><br>DRAWN BY: BGJ<br><br>SHEET 1 OF 1 |
|   |     | 06-10-09 | BGJ | CM <i>[Signature]</i>                            |   |
|   |     | 08-18-09 | BGJ | DRU <i>[Signature]</i><br>PUD <i>[Signature]</i> |   |



**NOTES:**

1. ALL USE AREAS WHERE RECYCLED WATER IS USED THAT ARE ACCESSIBLE TO THE PUBLIC SHALL BE POSTED WITH ONE OR MORE INFORMATION SIGNS IN CONSPICUOUS LOCATIONS THAT ARE VISIBLE TO THE PUBLIC.
2. INFORMATION SIGNS SHALL BE CONSTRUCTED OF 0.080" THICK ALUMINUM REFLECTIVE SHEETING WITH A PURPLE BACKGROUND AND WHITE LETTERING AND A 3M#1160 GRAFFITI FILM APPLIED, OR APPROVED EQUAL.
3. LOCATION OF SIGN AT EACH RECYCLED WATER SERVICE TO BE DETERMINED BY THE ENGINEER.



# CITY OF CLOVIS

DWG NO.  
**RW-3**

## RECYCLED WATER ID SIGN 18"X12"

REF: STD. SPECIFICATIONS

|                                 |     |          |     |                  |               |
|---------------------------------|-----|----------|-----|------------------|---------------|
| APPROVED BY:                    | NO. | REVISED  | BY  | APPROVALS        | SCALE: NTS    |
| CITY ENGINEER<br>DATE: 10/22/15 |     | 06-16-09 | BGJ | CM<br>DRU<br>PUD | DRAWN BY: BGJ |
|                                 |     | 05-29-12 | PAA |                  |               |
|                                 |     | 10-27-15 | CGV |                  |               |
|                                 |     |          |     |                  | SHEET 1 OF 1  |