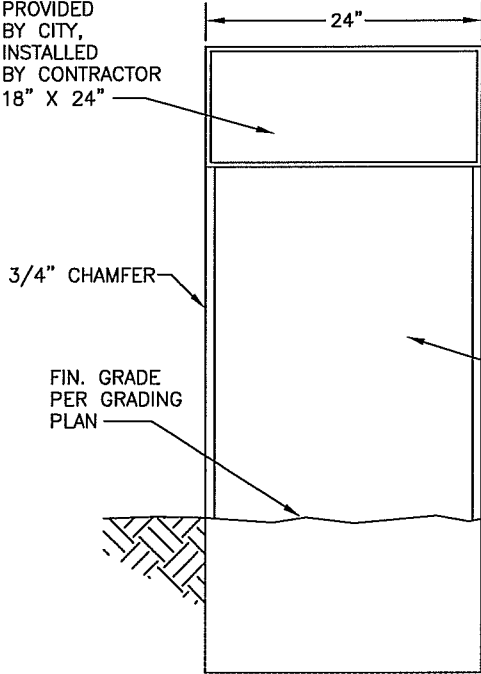
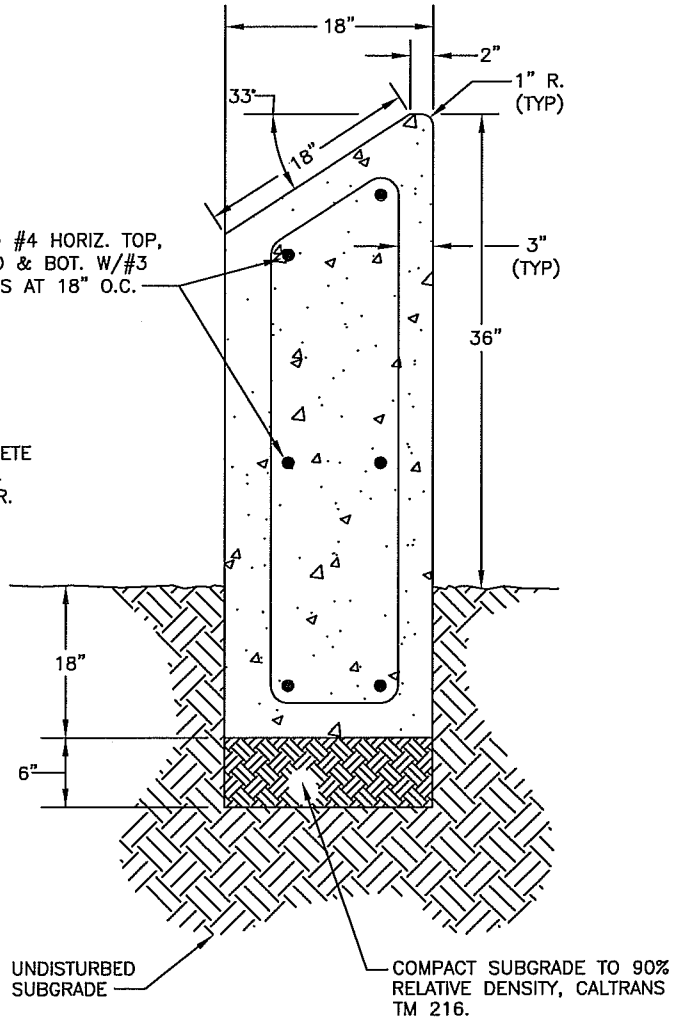


DEDICATION
PLAQUE
PROVIDED
BY CITY,
INSTALLED
BY CONTRACTOR
18" X 24"



ELEVATION

(2) #4 HORIZ. TOP,
MID & BOT. W/#3
TIES AT 18" O.C.



SECTION



CITY OF CLOVIS

DWG NO.
P-19

DEDICATION PLAQUE & PEDESTAL

REF.: STD. SPECIFICATIONS
SECTION 83 LIGHTING
SYSTEMS

APPROVED BY:	NO.	REVISED	BY	APPROVALS			SCALE: NTS
CITY ENGINEER <i>[Signature]</i>		01-25-11	BGJ	CM	OTHER		DRAWN BY: JA
	DATE: <i>1/29/11</i>			DRU <i>[Signature]</i>	OTHER		SHEET 1 OF 1
				PUD <i>[Signature]</i>	OTHER		