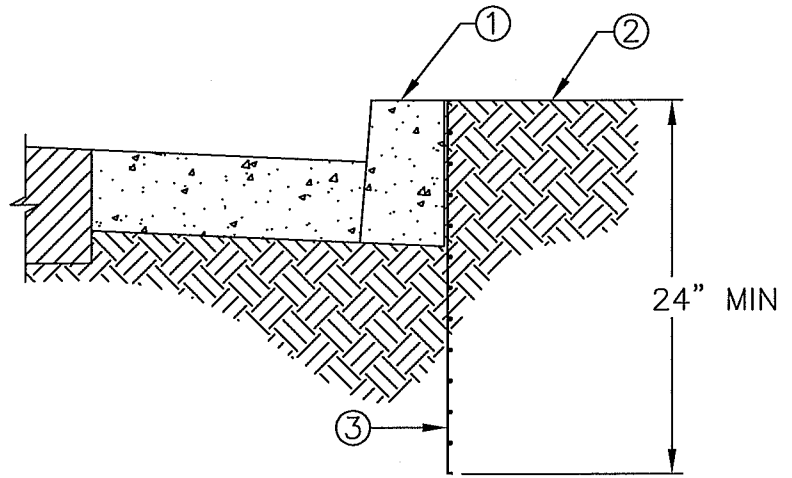


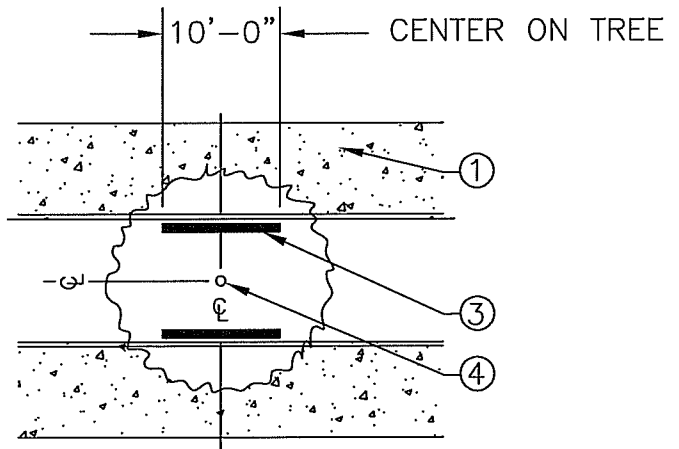
SIDEWALK APPLICATION



CURB OR CURB AND GUTTER APPLICATION

NOTES:

- ① PROPOSED OR EXISTING CONCRETE CURB OR WALK, (TYP.)
- ② FINISHED GRADE OF PLANTING AREA
- ③ INSTALL 12" OR 24" (AS SHOWN) DEEP ROOT CONTROL BARRIER, CENTER BARRIER ON TREE
- ④ PROPOSED TREE.



# CITY OF CLOVIS

DWG NO.

## P-17

### ROOT BARRIER, NEW TREE PLANTING

REF. STANDARD SPEC SECTION 20 LANDSCAPE PLANTING

APPROVED BY:	NO.	REVISED	BY	APPROVALS			SCALE: NTS
CITY ENGINEER		01-19-11	BGJ	CM	OTHER	_____	DRAWN BY: JA
DATE: 4/19/11				DRU	OTHER	_____	SHEET 1 OF 1
				PUD	OTHER	_____	