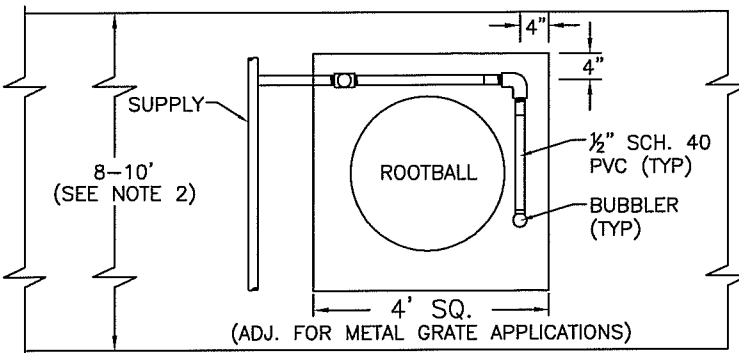
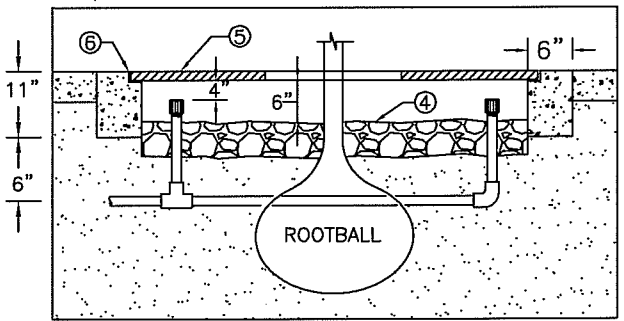


PROFILE VIEW (NTS)
FOR METAL TREE GRATE
APPLICATIONS—SEE DETAIL



PLAN VIEW (NTS)



METAL GRATE DETAIL (NTS)

NOTES:

1. STRUCTURAL SOIL SHALL BE "ROSENBALM ROCKERY'S" OR APPROVED EQUAL
2. THE ACTUAL LENGTH, WIDTH AND DEPTH OF STRUCTURAL SOIL WILL BE DETERMINED BY THE DESIGN ENGINEER.
3. FOR NON-GRATE APPLICATIONS COVER S. SOIL WITH 3" THICK BARK MULCH.
4. FOR GRATE APPLICATIONS, COVER S. SOIL WITH 3" OF 1" RIVER ROCK.
5. METAL GRATE SHALL BE EAST JORDAN IRON WORKS MODEL V-8954, ADA SQUARE SERIES, 48" SQUARE WITH 16" DIAMETER TREE OPENINGS, 2 PIECE STEEL FRAME, OR APPROVED EQUAL. (800-626-4653, <http://ejw.com>)
6. 1"x6" CLASS 2 CONCRETE FOOTING; NOTCH 1/2" SEAT WITH DEPTH TO PROVIDE FLUSH FIT FOR GRATE. INSTALL FOOTING ALL 4 SIDES.



CITY OF CLOVIS

DWG NO.
P-15

SIDEWALK TREE WELL

REF. STANDARD SPEC
SECTION 20
LANDSCAPE PLANTING

APPROVED BY:	NO.	REVISED	BY	APPROVALS			SCALE: NTS
CITY ENGINEER		01-27-11	BGJ	CM	OTHER	_____	DRAWN BY: JA
		02-16-11	BGJ	DRU	OTHER	_____	
DATE:				PUD	OTHER	_____	SHEET 1 OF 1