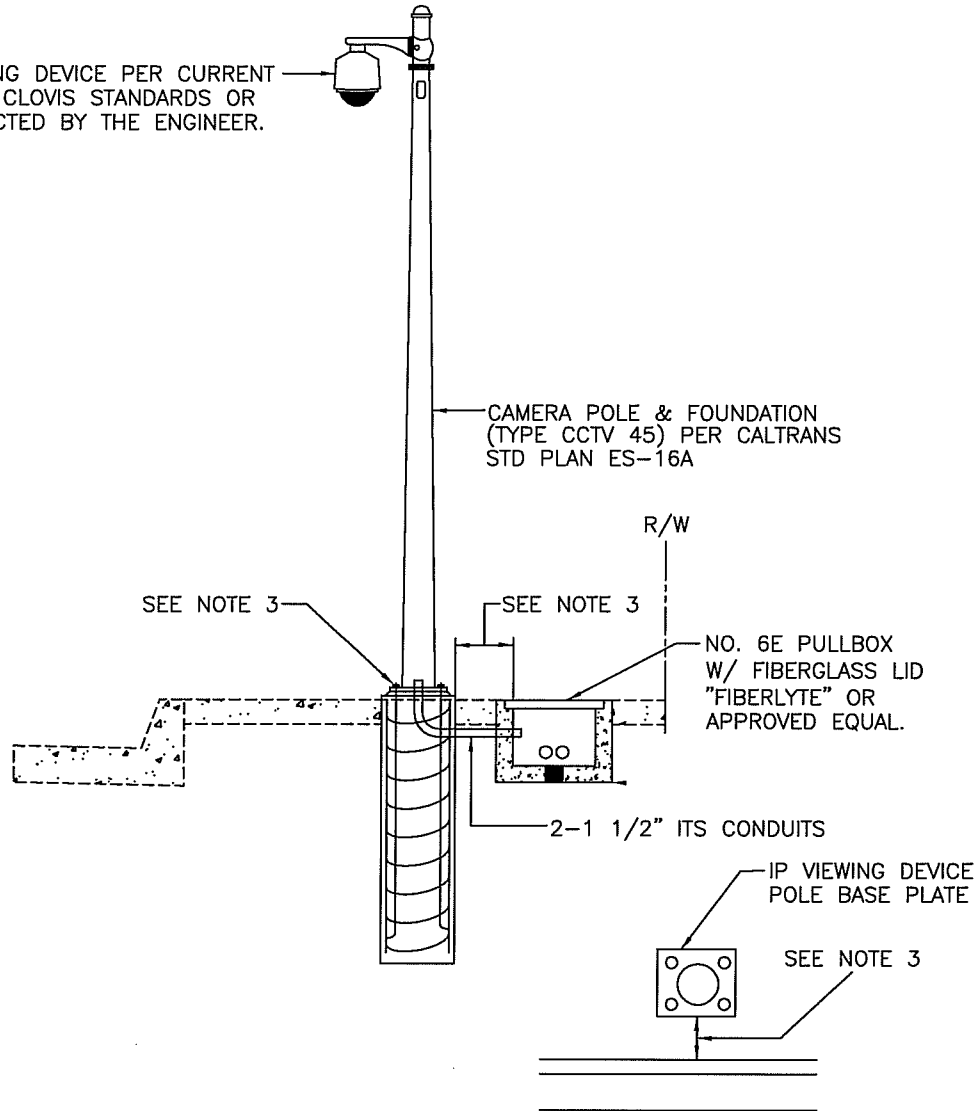


IP VIEWING DEVICE PER CURRENT CITY OF CLOVIS STANDARDS OR AS DIRECTED BY THE ENGINEER.



NOTES:

1. THE CONTRACTOR SHALL VERIFY EXISTING UTILITY LOCATIONS, IDENTIFYING POTENTIAL CONFLICTS BEFORE ORDERING OR FABRICATING ANY MATERIAL.
2. DURING POLE ERECTION, THE POST SHALL BE RAKED AS NECESSARY WITH THE USE OF LEVELING NUTS TO PROVIDE A PLUMB POLE AXIS.
3. ALIGN SIDE OF POLE BASE PLATE PARALLEL WITH CURB FACE. LOCATE POLE AS DIRECTED BY CITY ENGINEER. IF CURB & GUTTER DOESN'T EXIST, ALIGN BASE PLATE PER CITY ENGINEER. MAINTAIN MINIMUM ADA CLEARANCES AROUND POLE.



CITY OF CLOVIS

DWG NO.
ITS-3

IP VIEWING DEVICE

REF. STD. SPECIFICATIONS:
SECTION 82 & 86

APPROVED BY:	NO.	REVISED	BY	APPROVALS	SCALE: NTS
CITY ENGINEER		08-04-11	BGJ	CM	DRAWN BY: JA
		09-22-11	BGJ	DRU PUD	
DATE: 10/26/11				OTHER	SHEET 1 OF 1